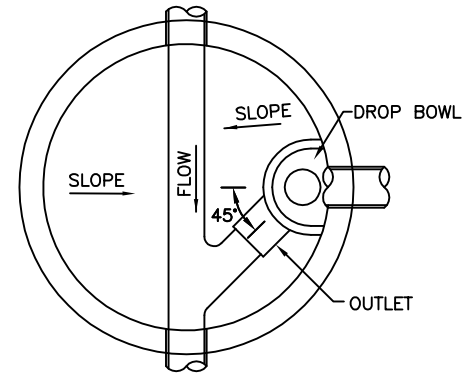
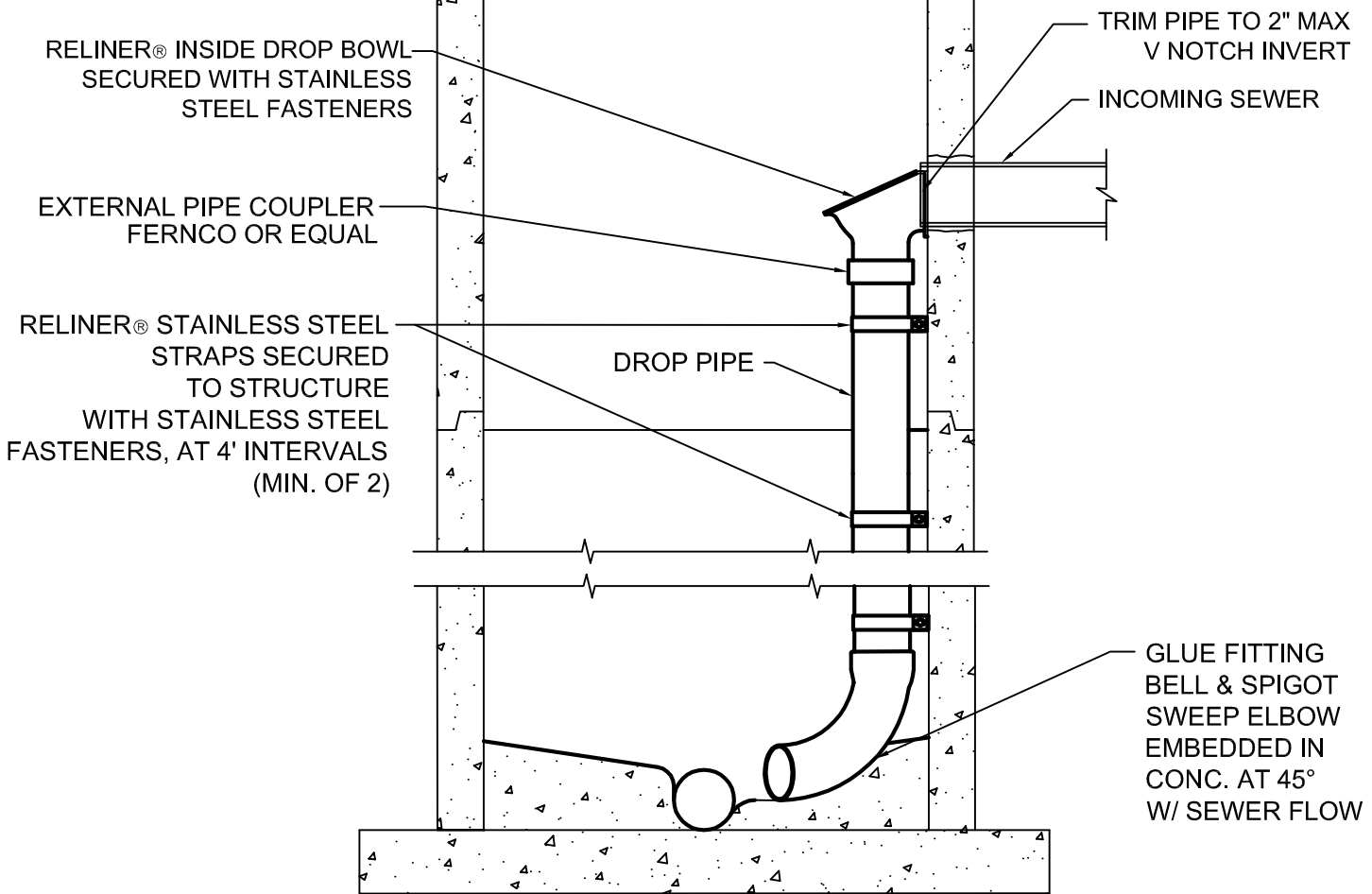


DROP BOWL
MOUNTING
POSITION



INSIDE DROP
PLAN VIEW



INSIDE DROP CONNECTION

NOTES:

- ALL INSIDE DROP CONNECTIONS FOR SERVICES AND COLLECTOR SEWERS SHALL USE THE DROP BOWL AS PRODUCED BY: RELINER-DURAN, INC.
9 MATTHEWS DRIVE, UNIT A1/A2
EAST HADDAM, CT 06423
(860)434-0277 FAX: (877)434-3197
- SECURE DROP PIPE TO MANHOLE WALL WITH RELINER-DURAN, INC STAINLESS STEEL ADJUSTABLE CLAMPING BRACKETS.

RELINER / DURAN, INC.

9 MATTHEWS DRIVE, UNIT A1/A2
EAST HADDAM, CT 06423
(800) 508-6001 FAX: (877)434-3197

WWW.RELINER.COM

DESCRIPTION	DATE	SCALE
DROP CONNECTIONS	2/25/21	NONE
	DRAWING NUMBER DC-1	